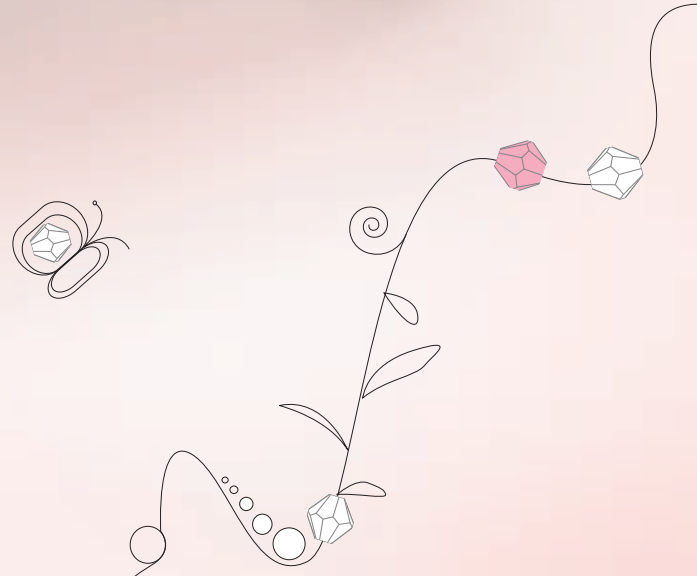


CREATE
YOUR STYLE
with SWAROVSKI ELEMENTS


WEDDING PRINCESS COMB



WEDDING PRINCESS COMB



SWAROVSKI ELEMENTS

Article	Product Group	Article No.	Amount	Size	Color	Color Code
	Beads	5328	45 pcs.	4 mm	Crystal Moonlight	001 MOL

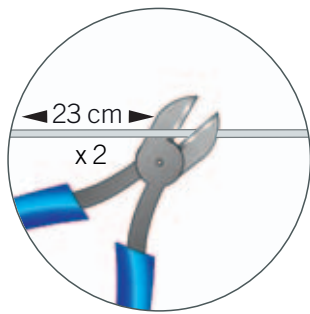
Supplies & Tools

- Supplies**
- 1x Wire comb, silver
 - Wire, silver, Ø0.4mm, 486cm
 - Wire, silver, Ø1mm, 122cm

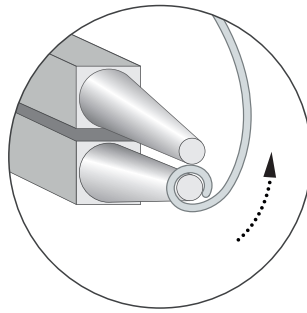
- Tools**
- Flat nose pliers
 - Round nose pliers
 - Wire cutter

Level of design: ADVANCED

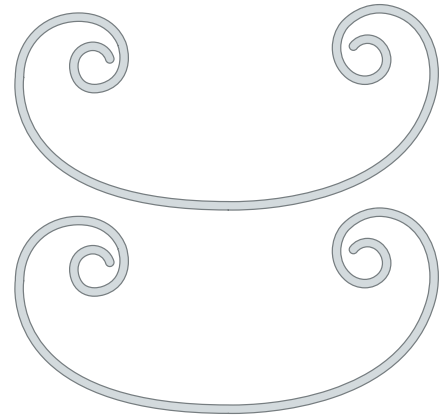
STEP 1



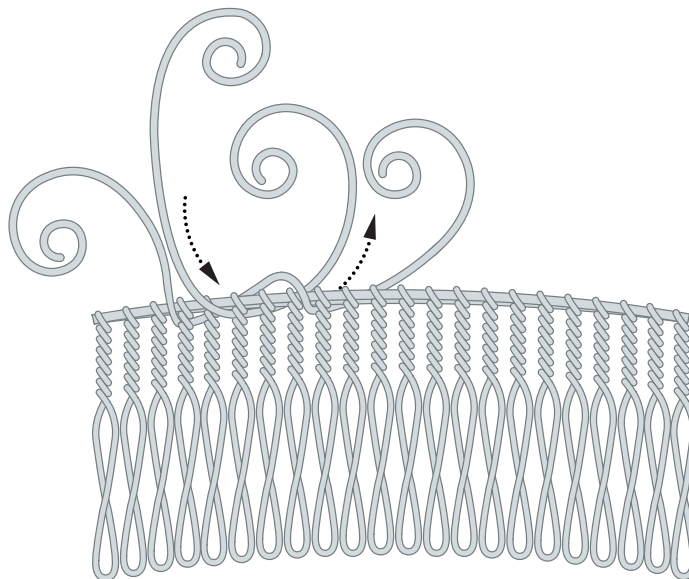
1 mm



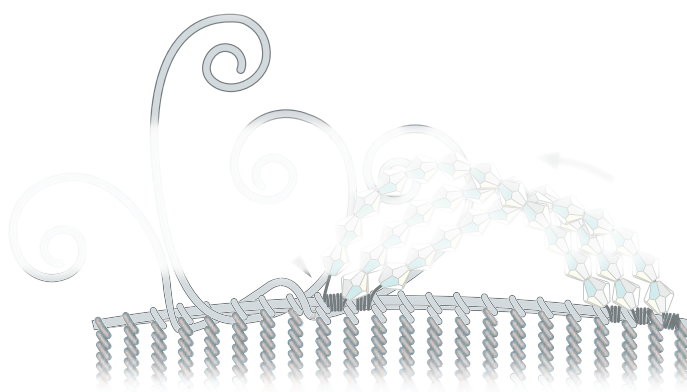
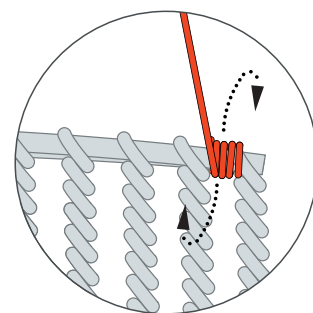
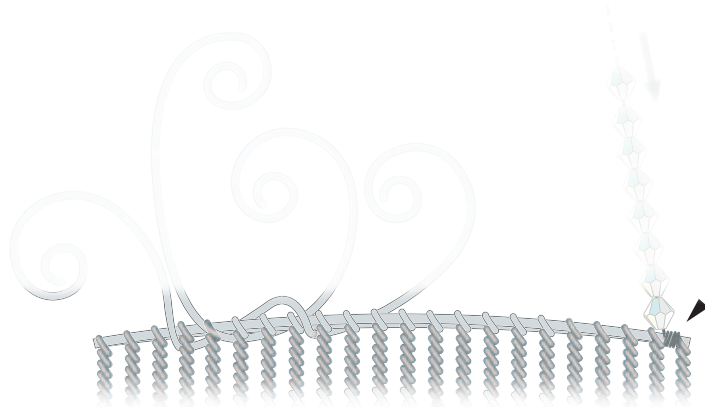
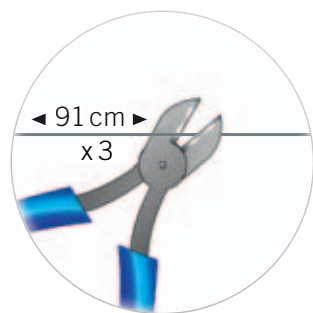
x4



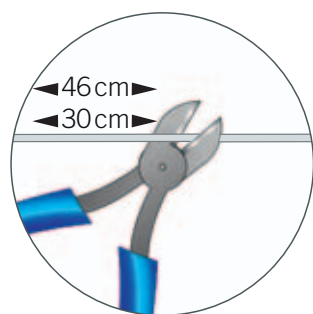
STEP 2



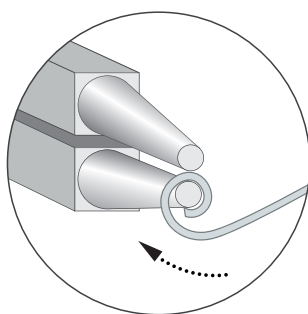
STEP 3



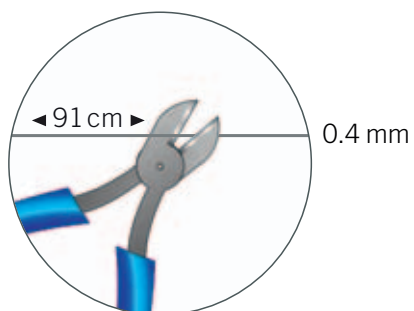
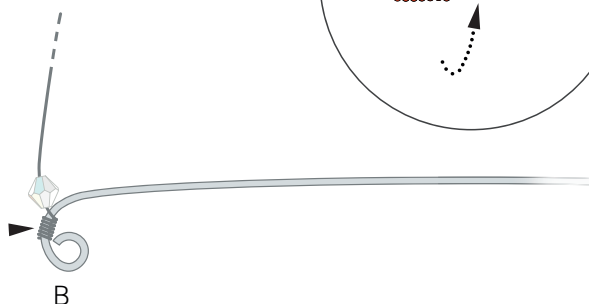
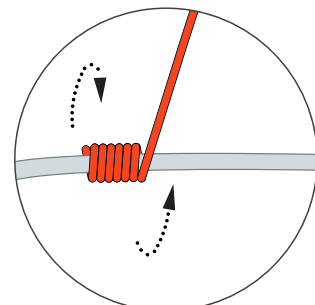
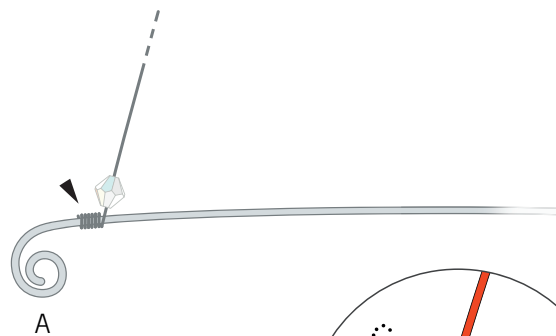
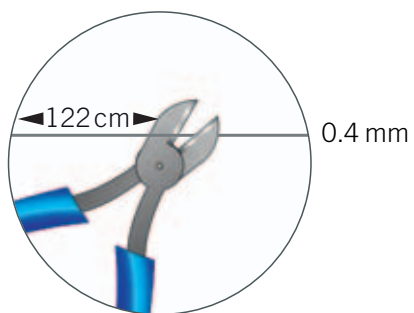
STEP 4



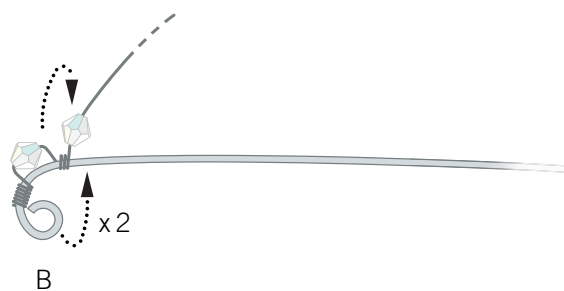
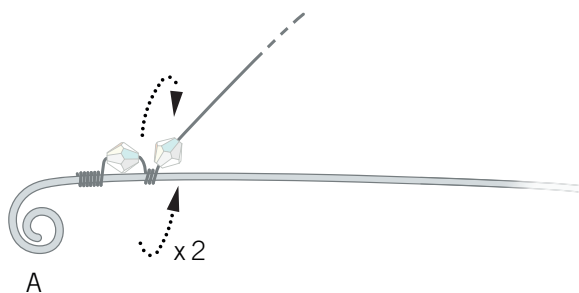
1 mm



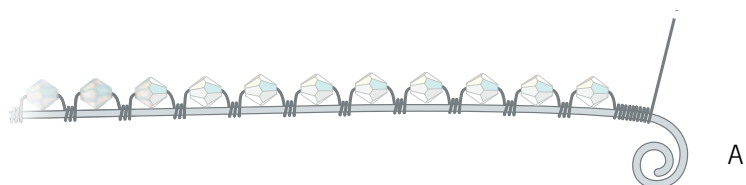
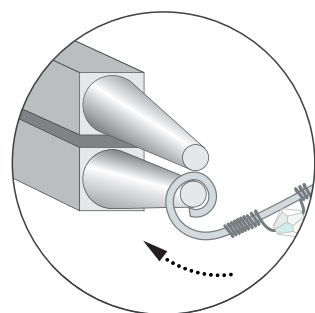
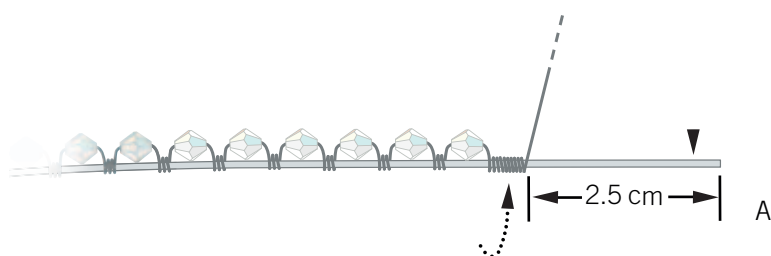
STEP 5



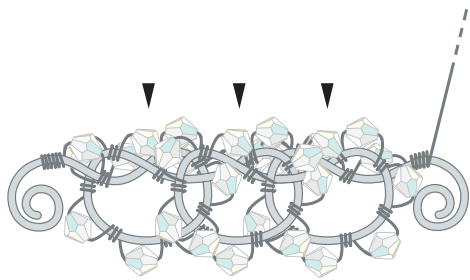
STEP 6



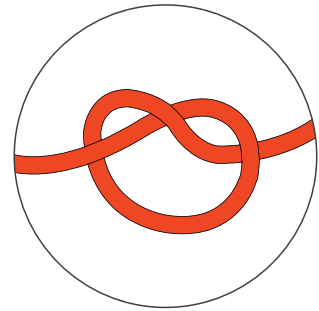
STEP 7



STEP 8

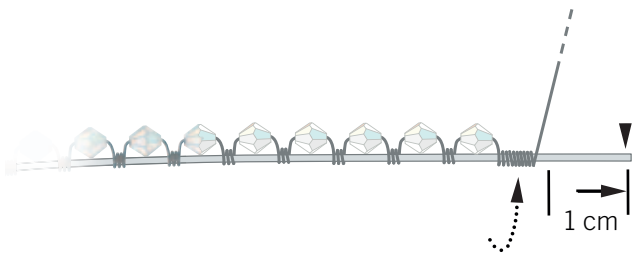


A

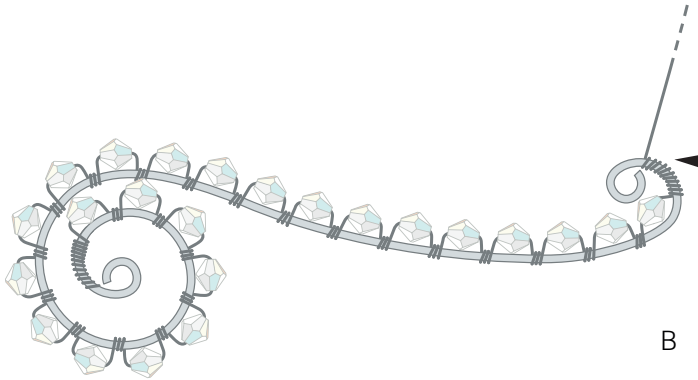
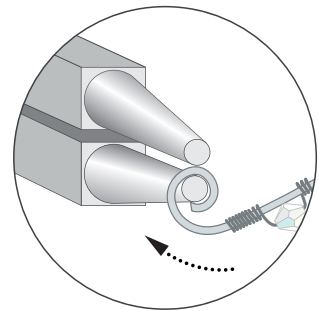


Repeat x3

STEP 9



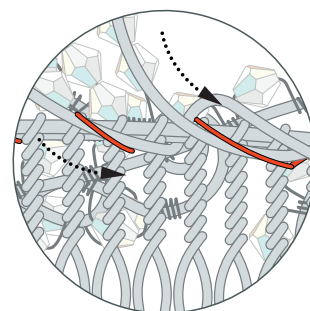
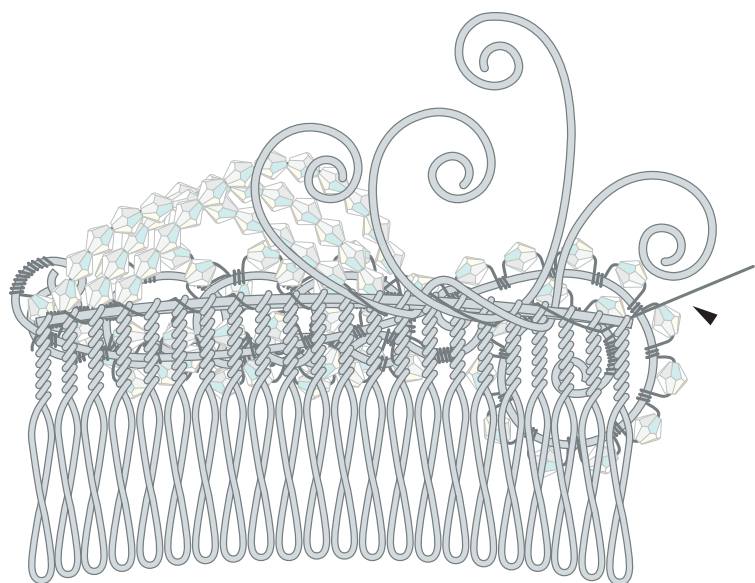
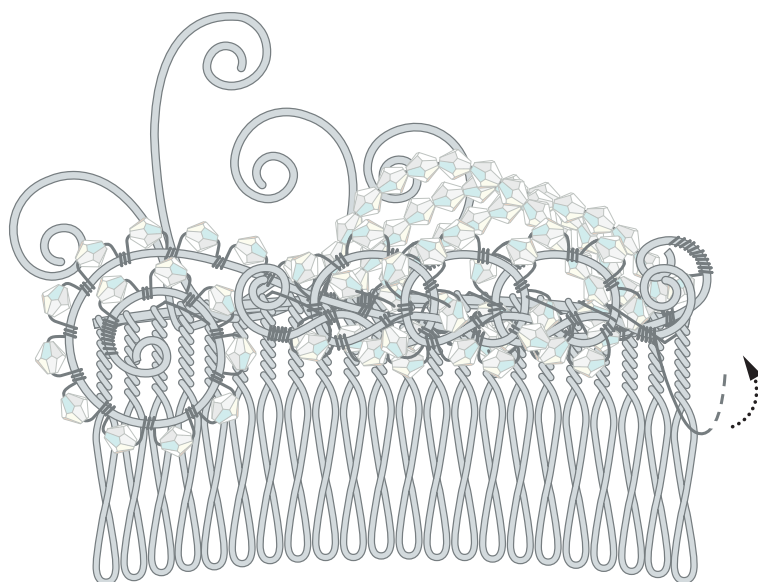
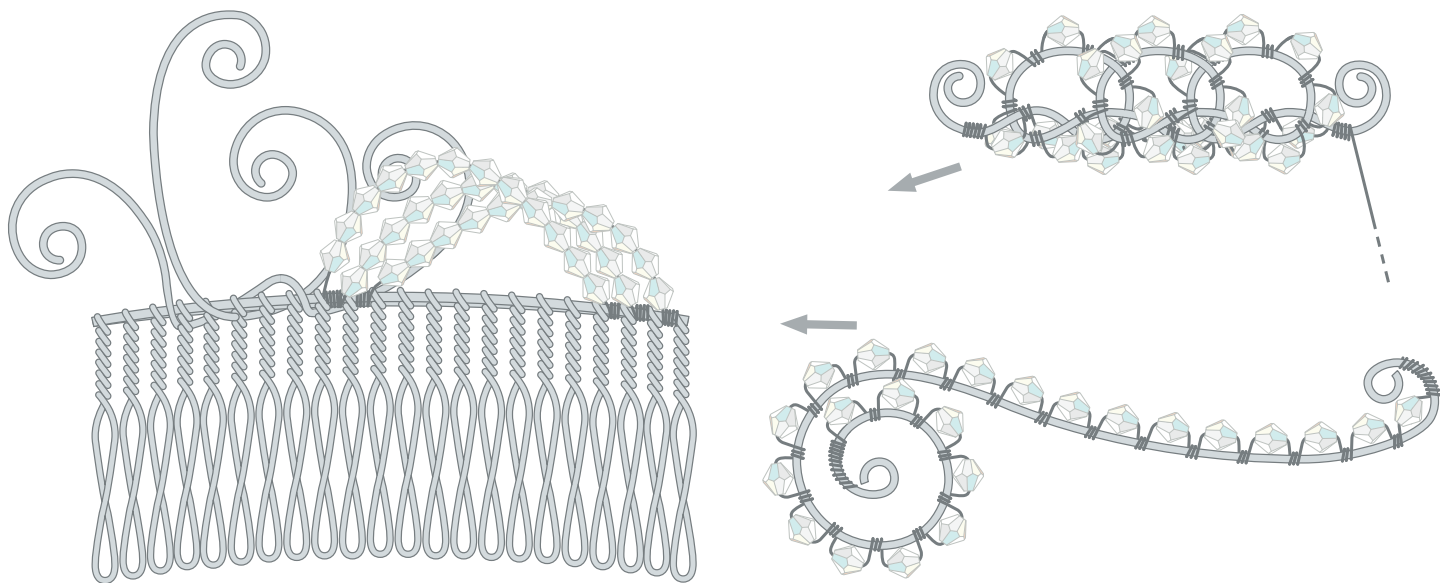
B



B



STEP 10



STEP 11

